

G41JCS46XX Series Tubocolor

33" Antimicrobial vinyl coated folding and rotating grab bar.
 No pinch flange and follows commercial child safety protocol. No maintenance 3mm thick antimicrobial vinyl coating. Stainless steel mounting plate concealed by ABS flange cover.

Mounting hardware not supplied.

Product Data

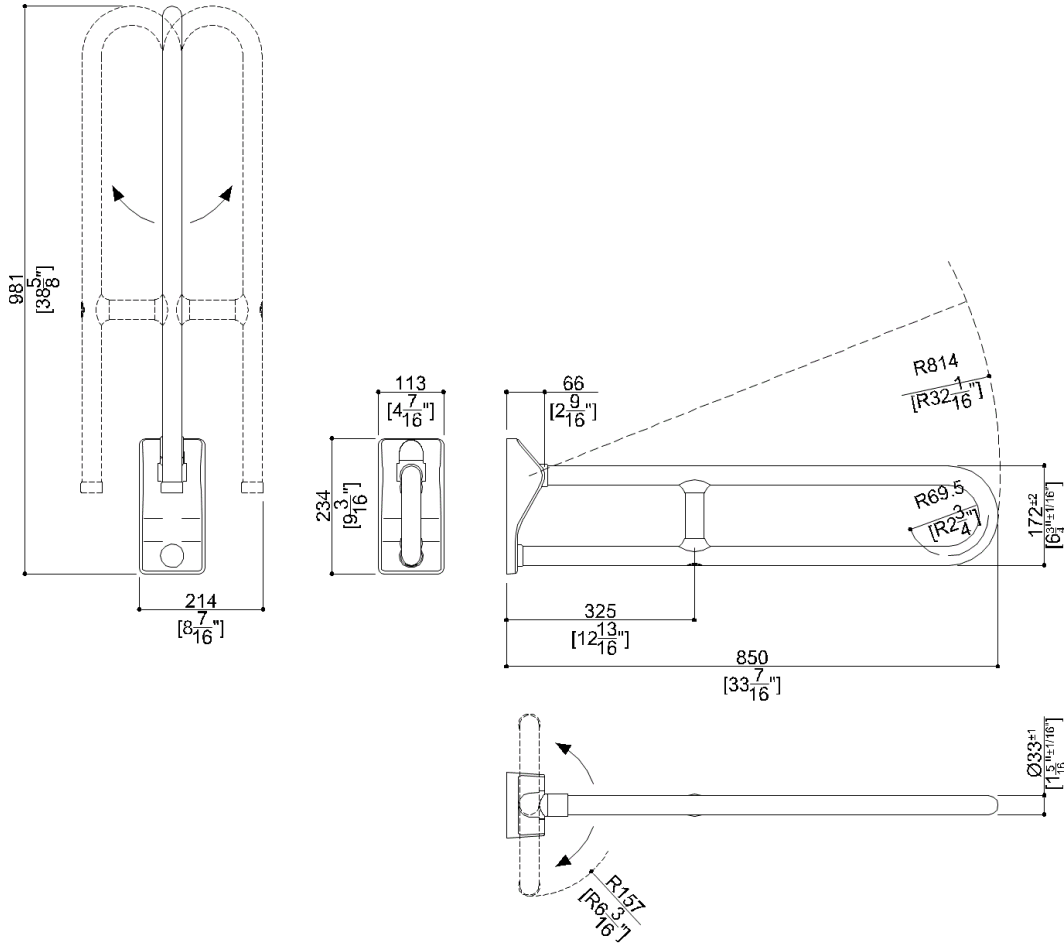
Overall Dimensions (Inch.)	4-7/16 x 33-7/16 x 9-3/16
Net Weight (lbs.)	8.49

Installation Hardware Details

Stainless steel screw	TE inox A2 8x70
-----------------------	-----------------

Packaging Details

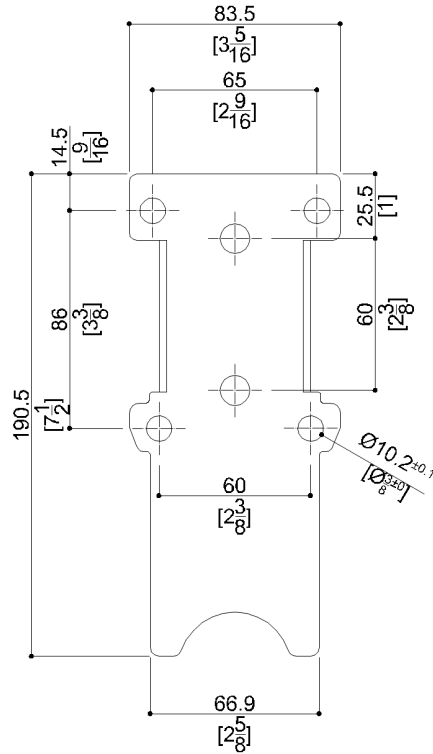
Package	Nylon bag in cardboard packaging
Package dimensions (Inch.)	5-1/8 x 34-5/8 x 8-11/16
Package weight (lbs.)	12.13




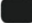
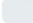




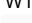
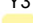
G41JCS46XX Series Tubocolor

Y88JKS77

AISI304 stainless steel fixing plate



Available Finishes (xx)

B1  Blue	D1  Black	D2  Greystone
D4  Dark Gray	I2  Biscuit	P4  Prune
R7  Ruby red	W1  White	Y3  Light Yellow

Load Capacity

Vertical 265 lbs.

Warning

Before installation and use, read the installation and use instructions in their entirety. If questions arise please contact Ponte Giulio company.

Cleaning

Product can be cleaned with a cloth and warm soapy water. Non abrasive, solvent free cleaners can also be used.

Warranty

Please visit www.pontegiulio.com for complete warranty details.

Materials and finishes

Steel	Galvanised
Stainless steel	N.A.
Antibacterial polyamid	Glossy
Antibacterial vinyl	Glossy