

**G40JAS08XX** Series Maxima

135° Angle Grab bar. No maintenance 3mm thick antimicrobial vinyl coating. Concealed stainless steel 11-hole flange plate.

Mounting hardware supplied for wood stud installation.

**Product Data**

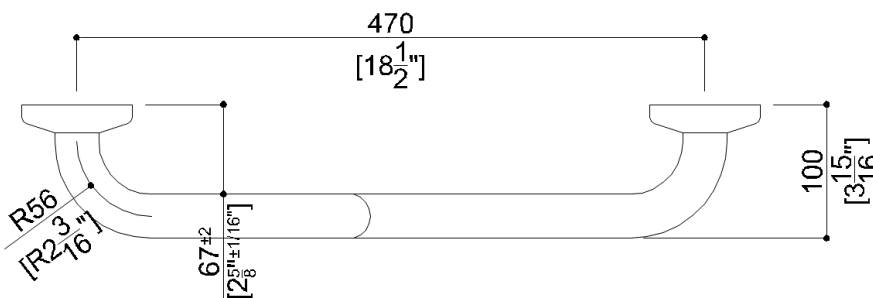
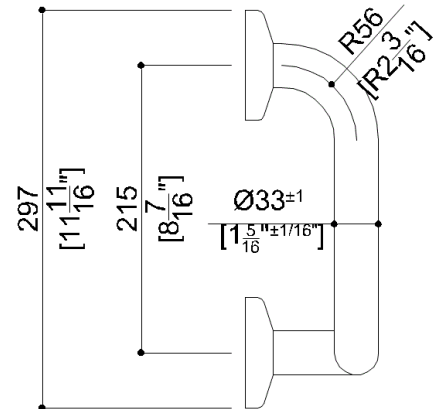
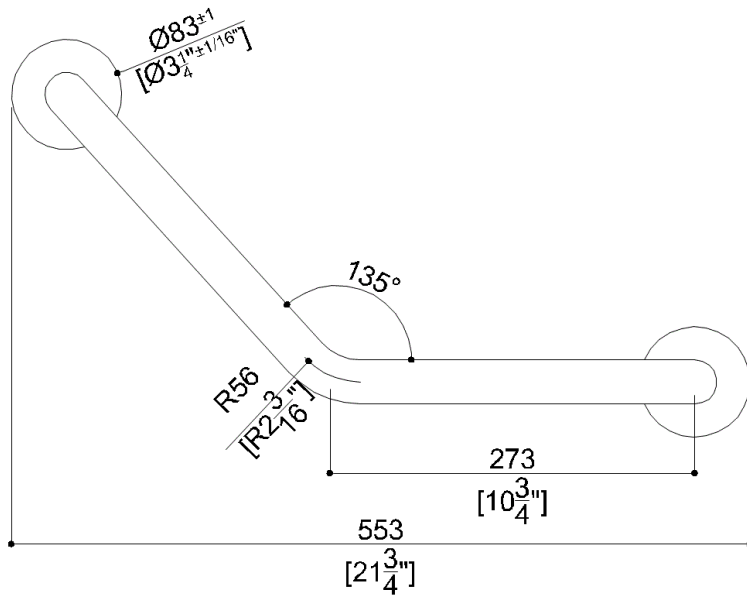
Overall Dimensions (Inch.)	21-3/4x3-15/16x11-11/16
Net Weight (lbs.)	3.53

**Installation Hardware Details**

Stainless steel screw and dowels	Fischer SX 8 6x70 Inox
----------------------------------	------------------------

**Packaging Details**

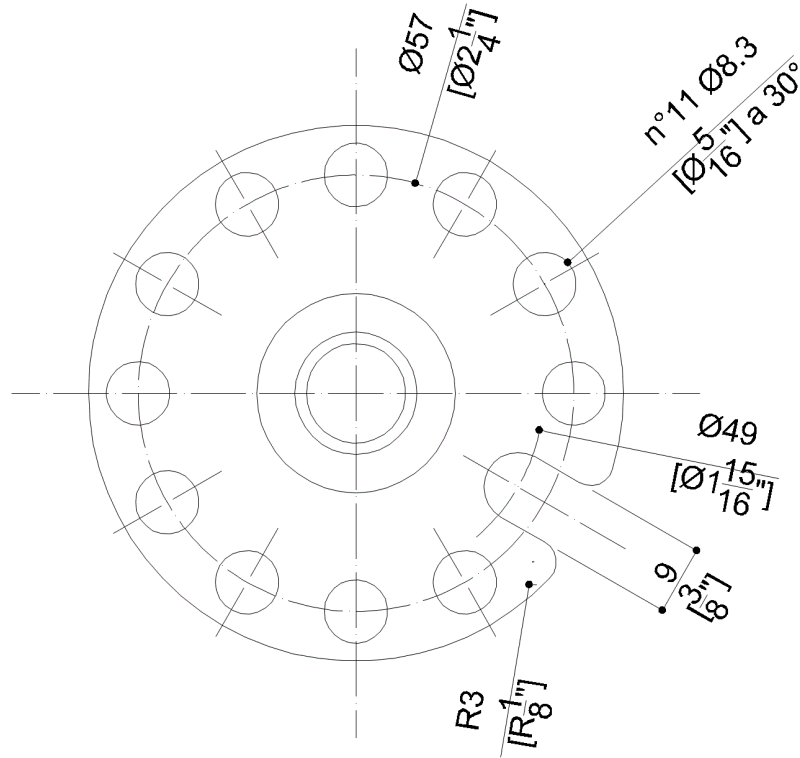
Package	LDPE bag in cardboard box
Package dimensions (Inch.)	23 x 6 x 4-1/8
Weight with Packaging (lbs.)	



**G40JAS08XX** Series Maxima

Y88JKS12

AISI 304 stainless steel fixing plate



**Available Finishes (xx)**

B1 Blue	B2 Light blue	D1 Black
D2 Greystone	D4 Dark Gray	G1 Green
G2 Light Green	I1 Ivory	I2 Biscuit
P4 Prune	R1 Vivid Red	R7 Ruby red
W1 White	Y1 Yellow Sun	Y3 Light Yellow

**Load Capacity**

Vertical 331 lbs.

**Warning**

Before installation and use, read the installation and use instructions in their entirety. If questions arise please contact Ponte Giulio company.

**Cleaning**

Product can be cleaned with a cloth and warm soapy water. Non abrasive, solvent free cleaners can also be used.

**Warranty**

Please visit [www.pontegiulio.com](http://www.pontegiulio.com) for complete warranty details.

**Materials and finishes**

Vinyl	Polished
Polyamide	Polished
Steel	Rough