

G18JCS09XX Series HUG

33" folding grab bar, removable, stainless steel, ABS and aluminum flange cover,

Optional accessories for this product: F18AGS01, F18JMS01, F18JIS01

Product Data

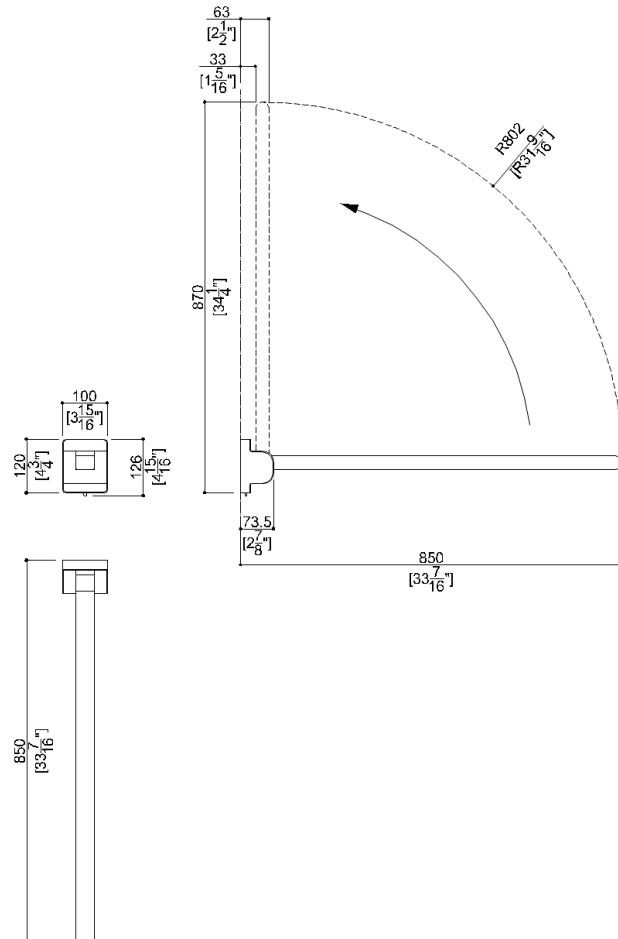
Overall Dimensions (Inch.)	3-15/16 x 33-7/16 x 4-3/4
Net Weight (lbs.)	7.5

Installation Hardware Details

Plastic connectors

Packaging Details

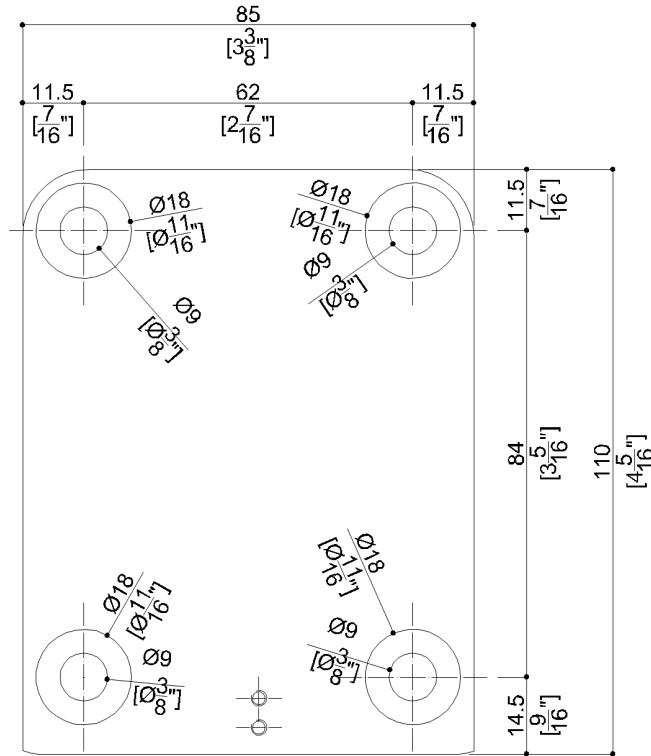
Package	Nylon bag in cardboard packaging
Package dimensions (Inch.)	35 x 5-11/16 x 4-5/16
Package weight (lbs.)	8.22



G18JCS09XX Series HUG





Y88JKS82

Alluminum fixing plate



Available Finishes (xx)

Arm finish

C1  Chrome	DD  Graphite	PB  Coral
WE  Signal White		

Flange cover finish

C1  Chrome	D4  Dark Gray	PB  Coral
WE  Signal White		

Materials and finishes

Aluminium	Rough finish
Aluminium	Glossy
ABS	Opaque

Load Capacity

Vertical	331 lbs.	Horizontal	220 lbs.
----------	----------	------------	----------

Warning

Before installation and use, read the installation and use instructions in their entirety. If questions arise please contact Ponte Giulio company.

Cleaning

Product can be cleaned with a cloth and warm soapy water. Non abrasive, solvent free cleaners can also be used.

Warranty

Please visit www.pontegiulio.com for complete warranty details.